

Technical data sheet

Product features



Cooking range electric square 2 zones

Model	SAP Code	00013580
--------------	-----------------	----------



- Device type: Electric unit
- Power consumption of the zone 1 [kW]: 4
- Power consumption of the zone 2 [kW]: 4
- Protection of controls: IPX5
- Material: Stainless steel

SAP Code	00013580	Power electric [kW]	8.000
Net Width [mm]	400	Loading	400 V / 3N - 50 Hz
Net Depth [mm]	800	Number of zones	2
Net Height [mm]	50	Power consumption of the zone 1 [kW]	4
Net Weight [kg]	19.00	Power consumption of the zone 2 [kW]	4

Technical data sheet

Technical drawing

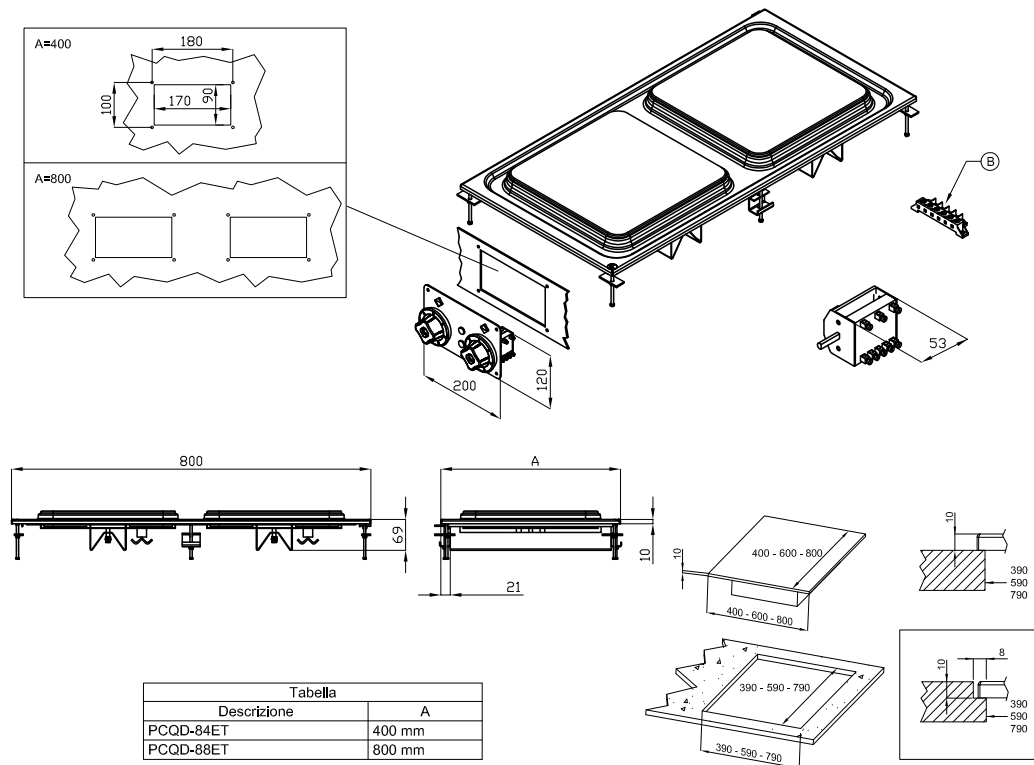


Cooking range electric square 2 zones

Model

SAP Code

00013580



Technical data sheet

Technical parameters



Cooking range electric square 2 zones

Model	SAP Code	00013580
--------------	-----------------	----------

1. SAP Code:

00013580

2. Net Width [mm]:

400

3. Net Depth [mm]:

800

4. Net Height [mm]:

50

5. Net Weight [kg]:

19.00

6. Gross Width [mm]:

430

7. Gross depth [mm]:

970

8. Gross Height [mm]:

540

9. Gross Weight [kg]:

24.00

10. Device type:

Electric unit

11. Construction type of device:

Drop-in

12. Power electric [kW]:

8.000

13. Loading:

400 V / 3N - 50 Hz

14. Protection of controls:

IPX5

15. Material:

Stainless steel

16. Worktop type:

Molded - comfortable cleaning maintenance

17. Worktop material:

AISI 304

18. Worktop Thickness [mm]:

2.00

19. Number of zones:

2

20. Power consumption of the zone 1 [kW]:

4

21. Power consumption of the zone 2 [kW]:

4

22. Maximum device temperature [°C]:

300

23. Minimum device temperature [°C]:

50

24. Number of power control stages:

6

25. Service accessibility:

From the front by removing the front panel and waste fluid containers

26. Safety element:

internal thermostatic protection of the hotplate against overheating

Technical data sheet

Technical parameters



Cooking range electric square 2 zones

Model	SAP Code	00013580
--------------	-----------------	----------

27. Safety thermostat:

Yes

29. Type of electric cooking zones:

Squared

28. Number of burners/hot plates:

2